

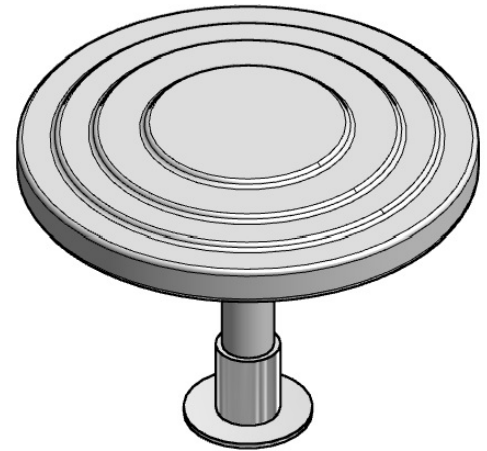
# VHF/UHF Antenna

54~751.75 MHz / 16~23 dBi



SW2000-1

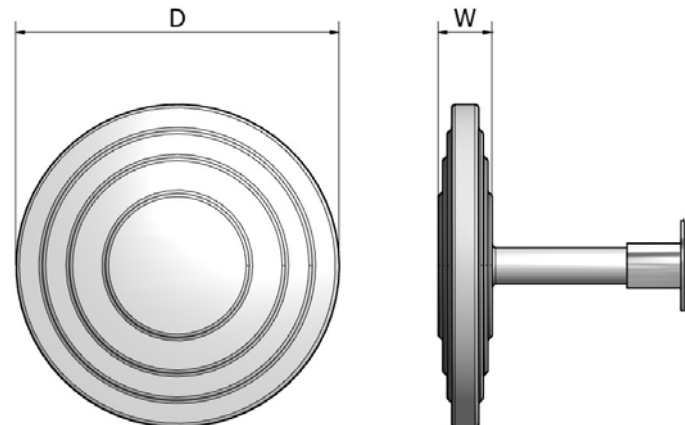
## i. Electrical Specification

Frequency Range	54~751.75	
Polarization	Vertical	
Band Width	697.75 MHz	
Gain	16~23 dBi	
Beam width	Horizontal	-
	Vertical	-
F-B ratio	-	
VSWR	1 : 1.5	
Impedance	75 Ω	
Maximum input power	-	



## ii. Mechanical Specification

Radom Dimension ( W x D )	90 X 360	
Weight ( Include bracket )	≤ 1000 g	
Connector Type	N-Female	
Withstand Wind Pressure	-	
Radome Material	AL	
Radome Color	 Cool Gray 1C	 Cool Gray 4C
Mechanical Down Tilt	-	
	-	
Temperature	-40 °C ~ 70 °C	
Packing Size (H x W x D) 10SET	-	
Packing Weight 10SET	-	



## iii. Radiation Pattern

Horizontal Pattern

Vertical Pattern